



ITT

Wastewater

CentriPro

S10015 1Ø CONTROL PANELS

Simplex / Weatherproof Controller with Alarm



FEATURES

- Rugged NEMA 4X construction withstands even the most severe weather conditions and prevents corrosion.
- Hinged door with lockable stainless steel latch for safe operation indoors and out.
- High level alarm circuit with external, on/off, alarm horn silence switch.
- Alarm test switch insures proper operation of the alarm circuit without the need to actuate the alarm float.
- Inside mounted pump run light.
- Top mounted high intensity red light provides 360° visibility.
- Corrosion proof alarm horn.
- Color coded wiring, screw type terminals, ensure ease of field servicing.
- Field wiring diagram, panel schematic and installation instructions included.
- Entire unit is UL and CUL listed.
- Non-modifiable.



CentriPro is a brand of ITT Corporation.

www.centripro.com

Engineered for life



ITT

CENTRIPRO Wastewater

APPLICATIONS

Simplex liquid level controller, automatically maintains pump operation, includes high level alarm warning for a variety of sump, effluent, sewage and water transfer applications.

SPECIFICATIONS

- Accepts single or dual power feed.
- Hand-off-automatic (H-O-A) pump selection switch.
- Magnetic contactor.
- Numbered terminal strip-screw type.
- NEMA 4X, 30 watt, red alarm light.
- NEMA 4X, fiberglass enclosure with gasketed, hinged door and stainless steel hardware.
- NEMA 4X, alarm horn –95db.

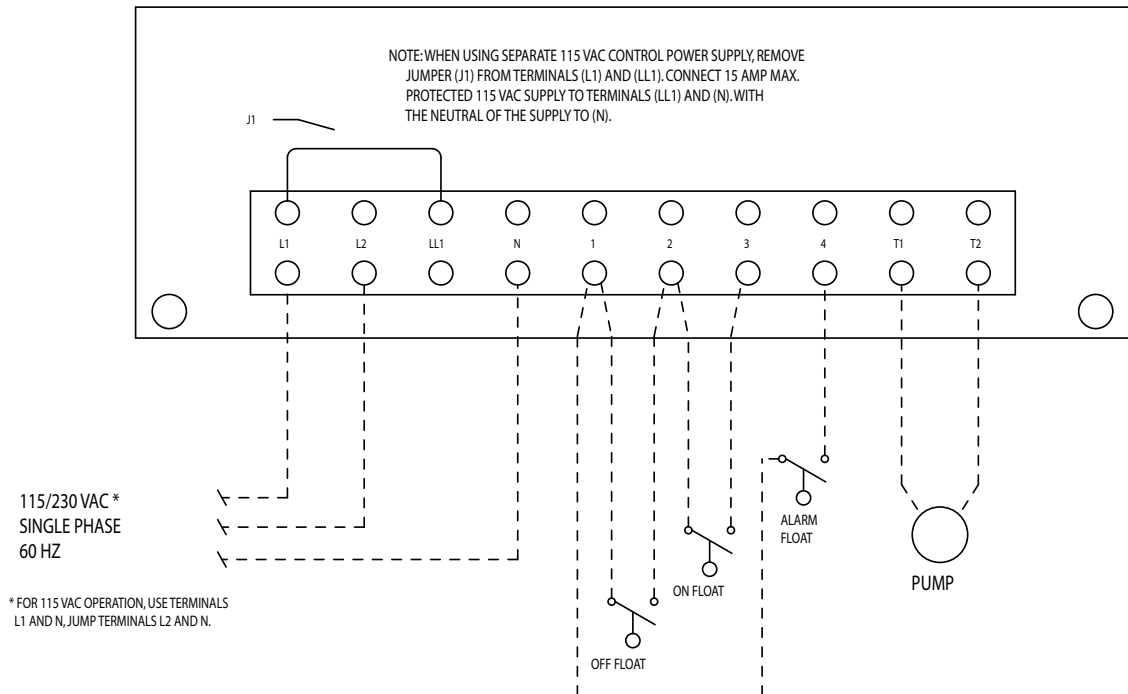
Single Phase

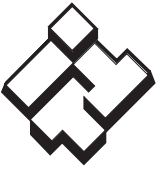
- 115 or 230 volt, 60 Hz.

Order No.	Maximum Running Amps	Float Switches
S10015	20	None - Order Separately (3 required)
S10015WF	20	① Inc. (3) N.O. Narrow Angle Mech. Control Switches

① Includes weights. Replacement switch is order No. A2N33.

TERMINAL STRIP WIRING



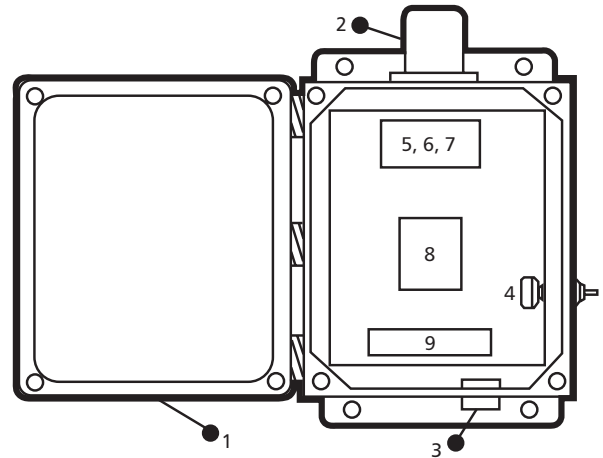


ITT

CENTRIPRO Wastewater

COMPONENTS

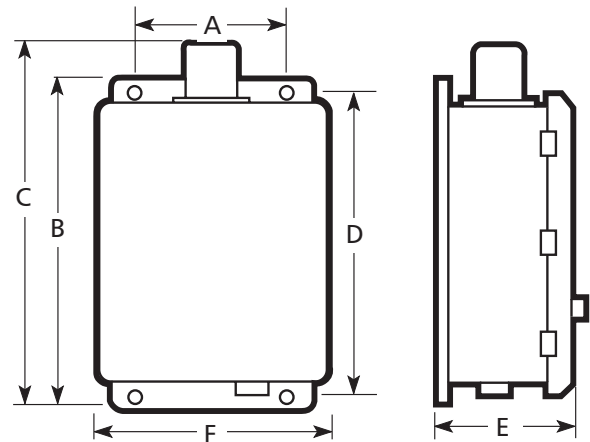
1. NEMA 4X FRP enclosure
2. Alarm light (RB63)
3. Alarm horn (RB50)
4. Horn on-off selector switch
5. H-O-A selector switch
6. Pump run light
7. Alarm test switch
8. Motor contactor
9. Wiring terminal strip

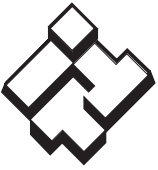


ENCLOSURE DIMENSIONS (in inches)

Single Phase

A	B	C	D	E	F
6	11.5	13.5	11.75	5.63	9.25

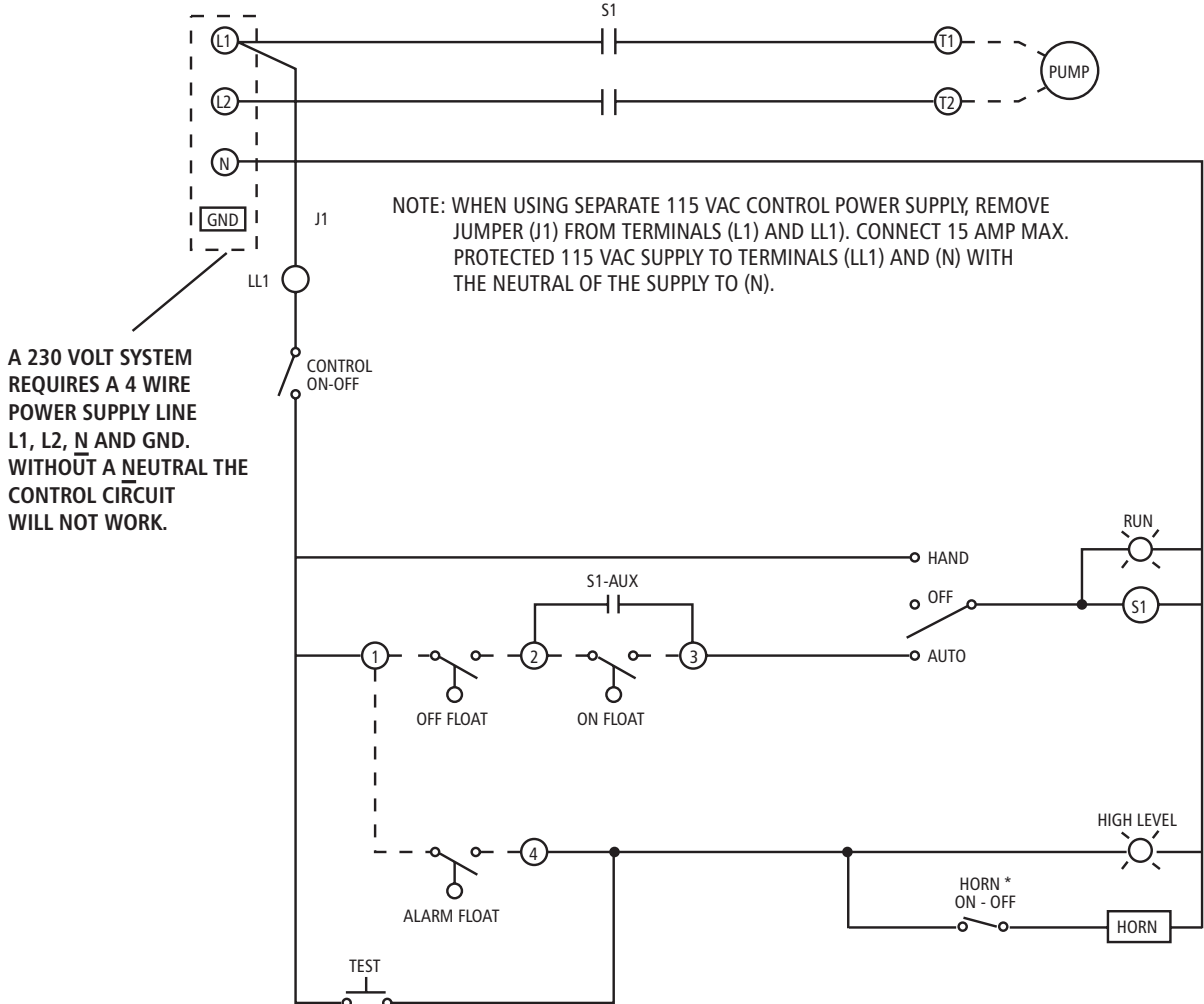




ITT

Wastewater

115/230 VAC (FOR 115 VAC, USE TERMINALS L1 AND N, JUMP L2 AND N).
SINGLE PHASE, 60 Hz



***NOTE: THE HORN ON/OFF SELECTOR SWITCH MUST BE PLACED BACK INTO THE (ON) POSITION AFTER THE ALARM CONDITION HAS BEEN CORRECTED IN ORDER TO MAINTAIN THE AUDIO ALARM ANNUNCIATION**

CentriPro and the ITT Engineered Blocks Symbol are registered trademarks and tradenames of ITT Corporation.

SPECIFICATIONS ARE SUBJECT TO CHANGE WITHOUT NOTICE.

BCP0 R5 November, 2007

© 2007 ITT Corporation

Engineered for life