



# ITT

Wastewater

## CentriPro

### SIMPLEX/DUPLEX WASTEWATER DISCONNECT STYLE PANELS



#### PANEL FEATURES

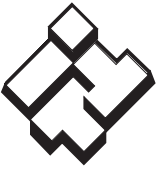
- Oversize enclosure to accommodate all options.
- One main disconnect through-the-door with door interlock, **prevents the door from accidentally being opened when the disconnect is in the ON position. Pad-lockable in the OFF position only.**
- A manual lockable disconnect feature on the motor overload protector. Lock not provided.
- Oversize magnetic contactor.
- Overload. Ambient compensated bi-metallic (Class 10) motor overload circuit protector. Instantaneous magnetic trip for short circuit protection. Single-phase protection for three-phase motor. Field adjustable within the amp. range.
- Control transformer with fused primary and fused secondary on all three-phase. Single-phase 115 volt has a fused control circuit.
- Pump test switch. Three-position HOA (hand-off-automatic).
- Green light indicates power to pump motor, mounted on the door,
- Control terminal board, numbered and wired.
- Layout and schematic CAD diagrams can be provided upon request.
- Optional alarm circuit may be field modified to use a 115 volt AC external power source.



CentriPro is a brand of ITT Corporation.

[www.centripro.com](http://www.centripro.com)

*Engineered for life*



# ITT

## CENTRIPRO Wastewater

### APPLICATIONS

Superior quality simplex and duplex liquid level controller, automatically maintains pump operation, includes high level alarm warning for a variety of sump, effluent, sewage and water transfer applications with ability to disconnect power at panels.

### SPECIFICATIONS – 1Ø AND 3Ø

- Accepts single or dual power feed.
- Hand-off-automatic (H-O-A) pump selection switch.
- On-off control circuit switch.
- Oversized magnetic contactor.
- Solid state printed circuit control board with float indicator lights.
- Main disconnect.
- Alternator for duplex version.
- Alarm horn.
- Auxiliary alarm contacts.
- Capacitors for pumps requiring external motor components are not included or available with this panel.

#### Single Phase

- Field adjustable for 115 or 230 V, 60 Hz.
- Adjustable motor overload protectors redundant to built-in overload in single phase motors.

#### Three Phase

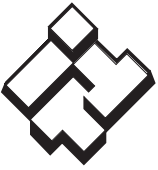
- Field adjustable for 208/230/460/575 V, 60 Hz.
- 115 V control circuit transformer.
- Adjustable motor overload protectors.
- **Heaters not required.**

### NOMENCLATURE

Character	Description
1 <sup>st</sup>	C = Centripro
2 <sup>nd</sup>	S = Simplex, D = Duplex
3 <sup>rd</sup>	D = Disconnect
4 <sup>th</sup>	1 = single phase - 115/230 volt 3 = 3 phase - 208/230/46/575 volt
5 <sup>th</sup> – 8 <sup>th</sup>	116 = 1.0-1.6 amp range, 1625 = 1.6-2.5 amp range, 2540 = 2.5-4.0 amp range, 4063 = 4.0-6.3 amp range, 6310 = 6.3-10.0 amp range, 1016 = 10-16 amp range, 1620 = 16-20 amp range, 2025 = 20-25 amp range, 2232 = 22-32 amp range (amp ratings of 22-25 overlap on the last two ratings, when in doubt go to larger range)
9 <sup>th</sup> – 10 <sup>th</sup>	N1 = Nema 1, Nothing in 9th and 10th character for Nema 4X.

### ORDER NUMBERS

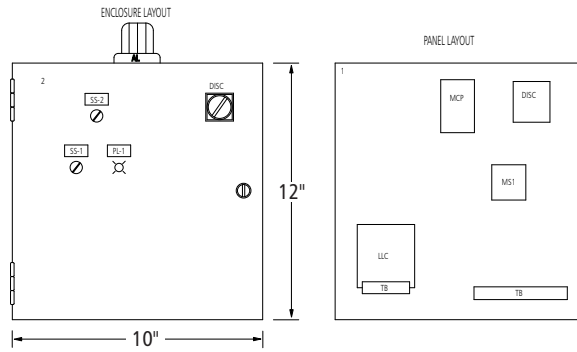
	Phase	NEMA 1	NEMA 4X	Amp Rating
Simplex	1	CSD14063N1	CSD14063	4.0-6.3
		CSD16310N1	CSD16310	6.3-10
		CSD11016N1	CSD11016	10-16
		CSD11620N1	CSD11620	16-20
		CSD12025N1	CSD12025	20-25
		CSD12232N1	CSD12232	22-32
	3	CSD31625N1	CSD31625	1.6-2.5
		CSD32540N1	CSD32540	2.5-40
		CSD34063N1	CSD34063	4.0-6.3
		CSD36310N1	CSD36310	6.3-10
		CSD31016N1	CSD31016	10-16
		CSD31620N1	CSD31620	16-20
Duplex	1	CDD14063N1	CDD14063	4.0-6.3
		CDD16310N1	CDD16310	6.3-10
		CDD11016N1	CDD11016	10-16
		CDD11620N1	CDD11620	16-20
		CDD12025N1	CDD12025	20-25
		CDD12232N1	CDD12232	22-32
	3	CDD31625N1	CDD31625	1.6-2.5
		CDD32540N1	CDD32540	2.5-40
		CDD34063N1	CDD34063	4.0-6.3
		CDD36310N1	CDD36310	6.3-10
		CDD31016N1	CDD31016	10-16
		CDD31620N1	CDD31620	16-20
	CDD32025N1	CDD32025	20-25	
	CDD32232N1	CDD32232	22-32	



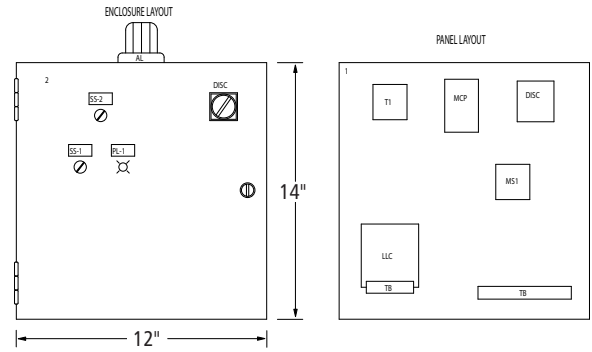
# ITT

## CENTRIPRO Wastewater

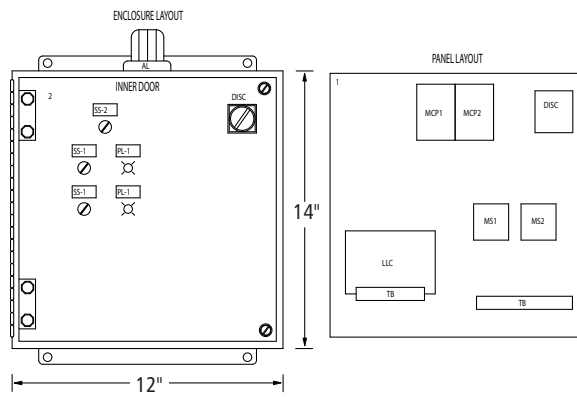
### Simplex 1Ø Enclosure Layout



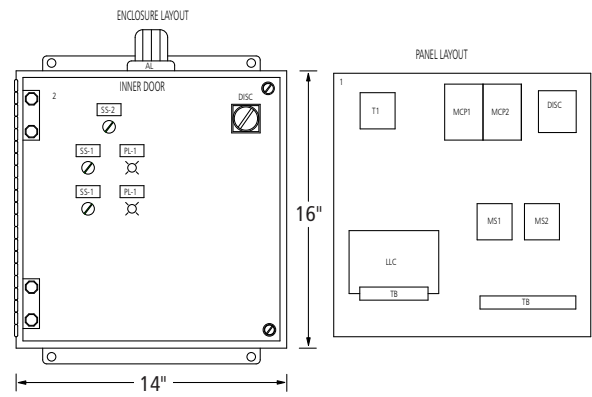
### Simplex 3Ø Enclosure Layout



### Duplex 1Ø Enclosure Layout



### Duplex 3Ø Enclosure Layout



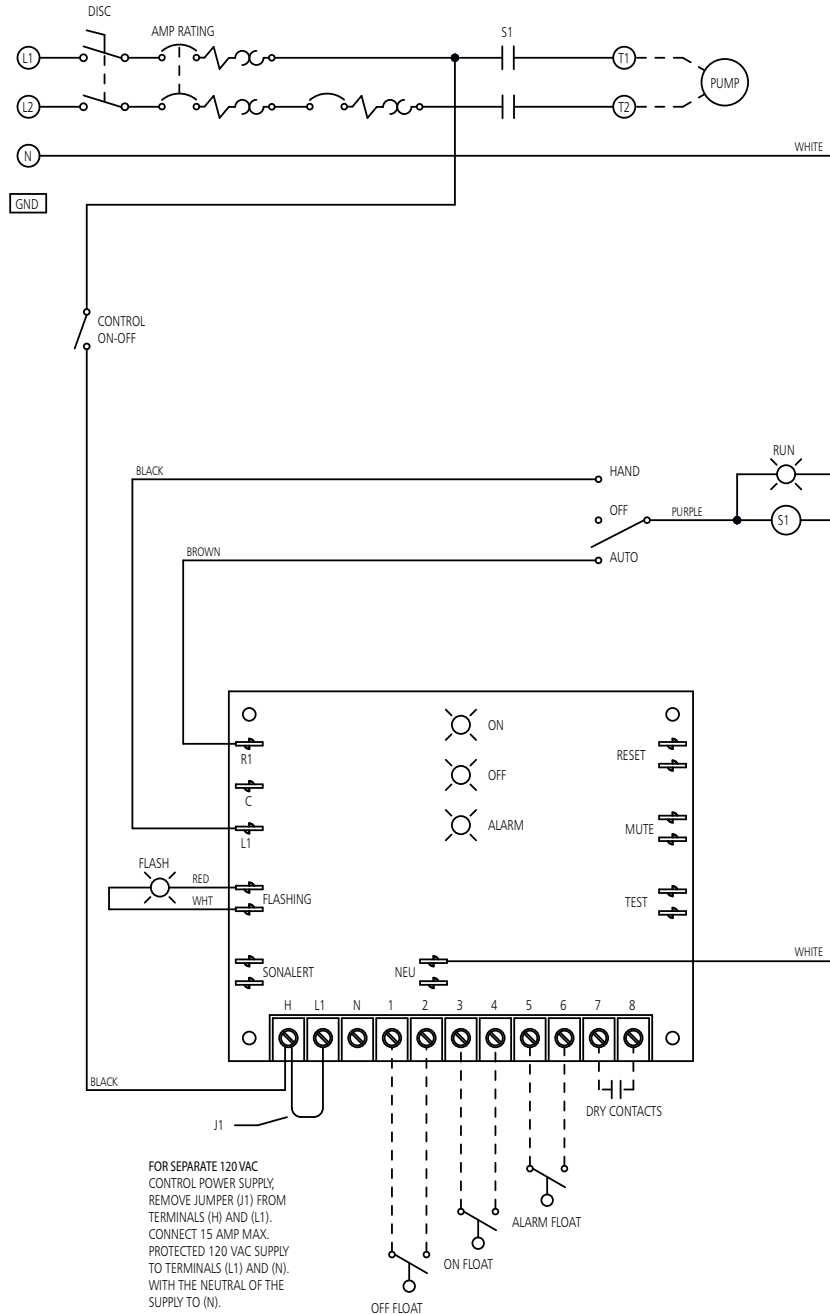


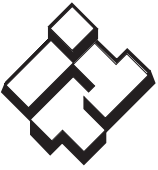
# ITT

## CENTRIPRO Wastewater

### SIMPLEX PANEL INSTALLATION – SINGLE PHASE

115/230 VAC (FOR 115 VAC, USE TERMINALS L1 AND N, JUMP L2 AND N.)  
SINGLE PHASE 60 HZ





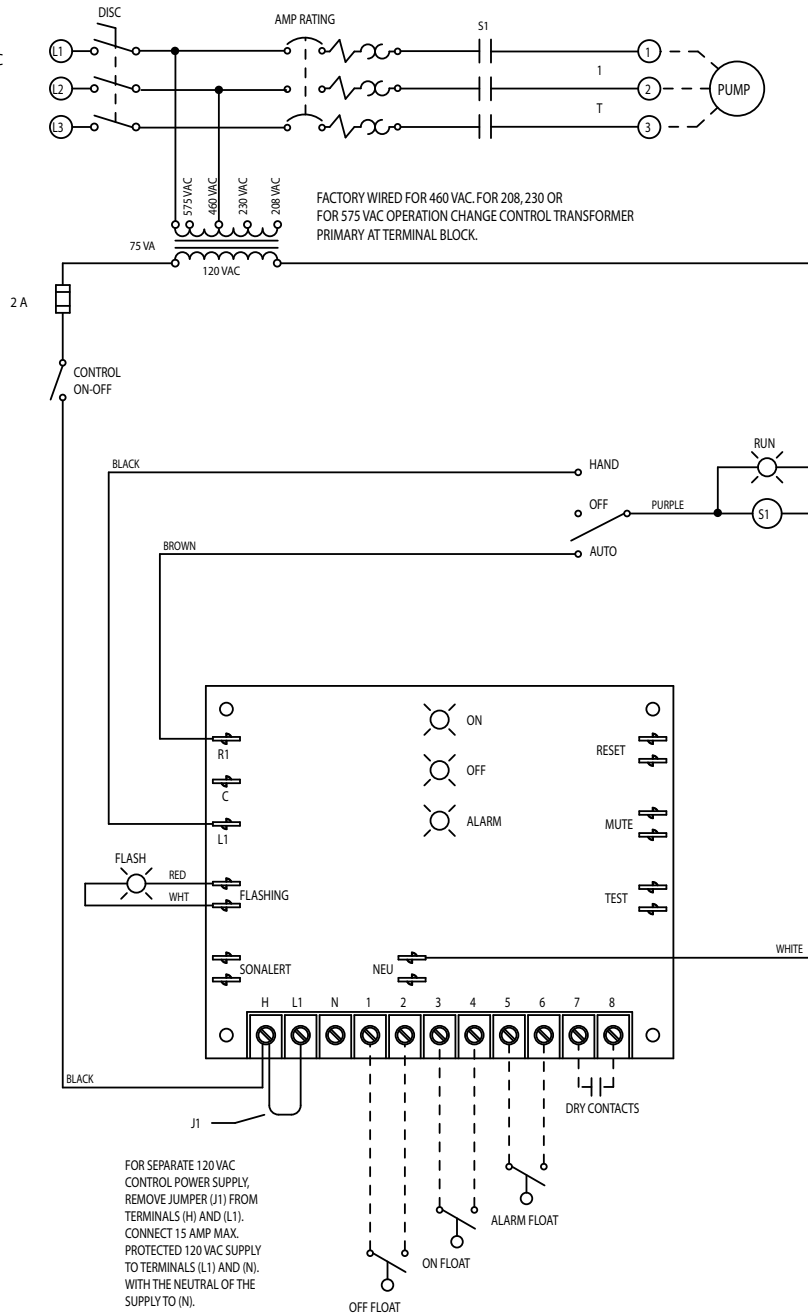
# ITT

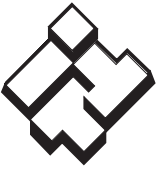
# CENTRIPRO Wastewater

## SIMPLEX PANEL INSTALLATION – THREE PHASE

PROVIDE DISCONNECT  
PER NEC CODE

208/230/460/575 VAC  
3 PHASE  
60 HZ



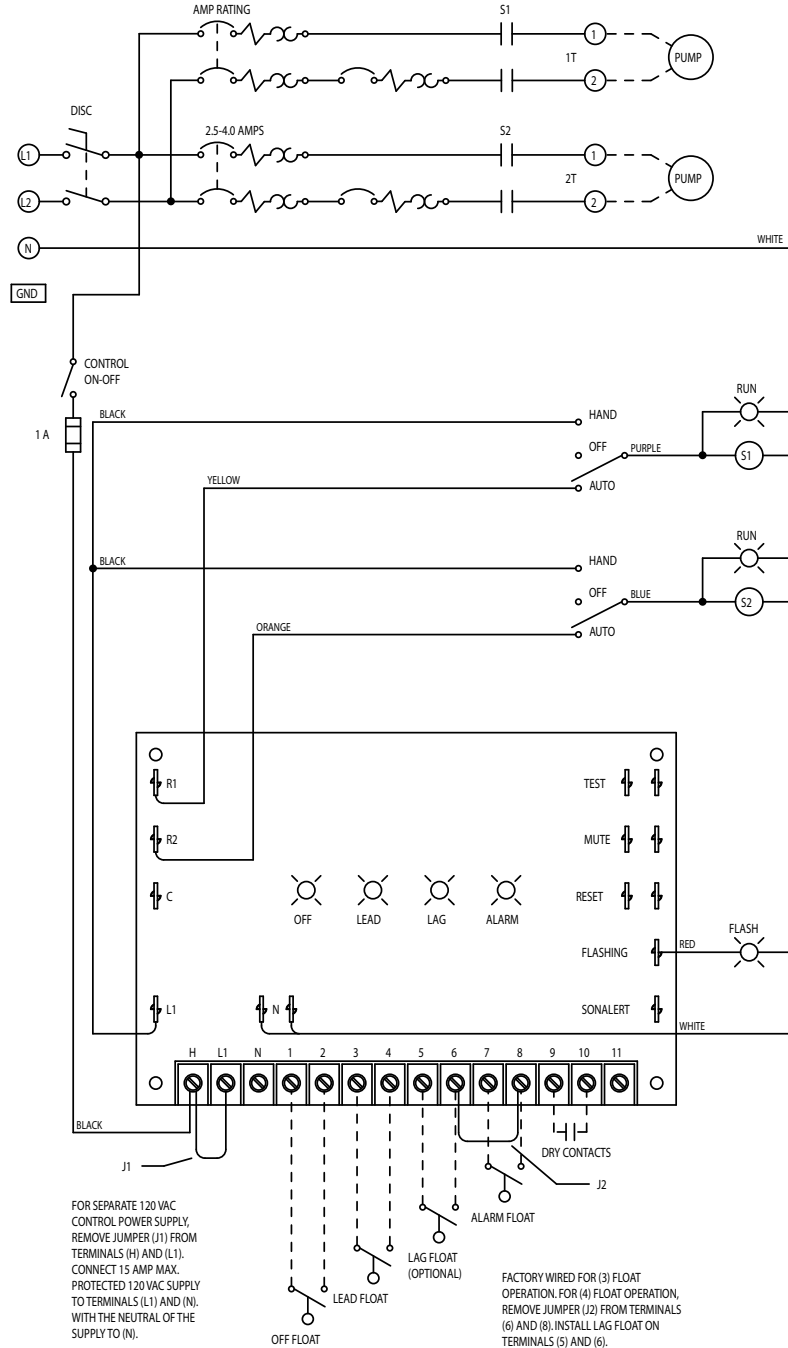


# ITT

# CENTRIPRO Wastewater

## DUPLEX PANEL INSTALLATION – SINGLE PHASE

115/230 VAC (FOR 115 VAC, USE TERMINALS L1 AND N, JUMP L2 AND N.)  
SINGLE PHASE 60 HZ



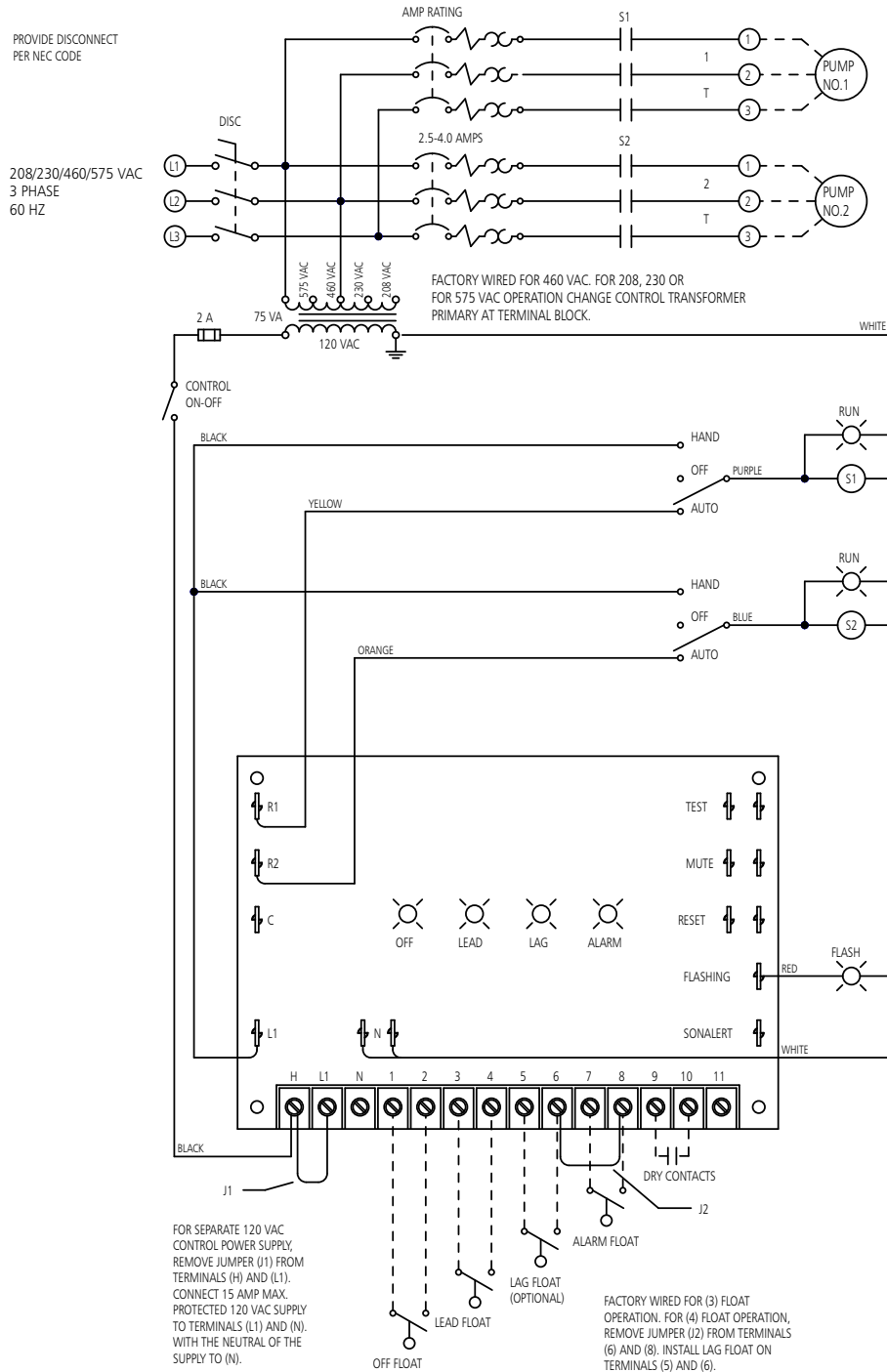
FOR USE WITH WIDE ANGLE FLOAT SWITCH (ONE FLOAT FOR BOTH ON AND OFF OPERATION).  
JUMP TERMINALS (3) AND (4), INSTALL WIDE ANGLE FLOAT TO TERMINALS (1) AND (2).



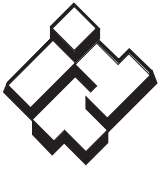
# ITT

## CENTRIPRO Wastewater

### DUPLEX PANEL INSTALLATION – THREE PHASE



FOR USE WITH WIDE ANGLE FLOAT SWITCH (ONE FLOAT FOR BOTH ON AND OFF OPERATION).  
JUMP TERMINALS (3) AND (4), INSTALL WIDE ANGLE FLOAT TO TERMINALS (1) AND (2).



**ITT**

**Wastewater**



CentriPro and the ITT Engineered Blocks Symbol are registered trademarks and tradenames of ITT Corporation.

SPECIFICATIONS ARE SUBJECT TO CHANGE WITHOUT NOTICE.

**BCPSDWWP R0 September, 2007**

© 2007 ITT Corporation

*Engineered for life*