

CentriPro™

CentriGuard™

Fixed Speed Pump Starter Panel, with
Integrated Pump and Motor Protection

REASONS TO CONSIDER CentriGuard



APPLICATIONS

CentriGuard is a fixed speed pump controller and full voltage starter designed with pump, motor and system protection in mind. It includes complete pump protection in the event of run-dry, cavitation, running below minimum flow or dead heading as well as motor protection in the event of overload, undervoltage and short circuit faults. Additionally, motors are protected for phase loss, and phase imbalance. CentriGuard incorporates smart relay logic and built-in flexibility for on/off control and fault protection from a wide variety of external devices and systems. CentriGuard also provides for local and remote monitoring of pump and motor status and is designed for use with all types of centrifugal pumps, regardless of manufacturer.

- Pre-engineered, prepackaged and prewired pump starter panel that streamlines project installations and startups for reduced overall project cost.

"Plug-and-Pump" startup in (4) simple steps:

1. **Mount It** to the wall.
2. **Wire It** only to the motor and power supply.
3. **Set the protection set points** (one-button auto-set included).
4. **Start It!**

- Reduces specification/engineering time and cost, for custom built panels.
- No separate mounting of starters, fuses, disconnects, phase protection.
- Compatibility with most standard pump motors.

- **Reduce delivery and installation delays.** CentriGuard is pre-engineered and available within days. No time consuming specification and special builds are required, saving both time and money. (Subject to model and availability.)

- **Reduce costly pump damage.** CentriGuard monitors pump conditions and removes power before damage can occur due to:

- Cavitation/Low Suction
- Dry Run
- Closed Valve, No Flow
- Run Out Condition

- **Reduce costly motor damage.** CentriGuard protects your motor investment from:

- Line Surges, Overload
- Under Voltage
- Phase Imbalance or Loss
- Short Circuit
- Lightning (optional equipment)

- **Incorporate pumps into building or system management.** CentriGuard provides input and output to monitoring and management systems:

- Fault Indication
- Remote On/Off

CentriPro



ITT Industries



CentriPro™

CentriGuard™

Fixed Speed Pump Starter Panel, with
Integrated Pump and Motor Protection

CONSTRUCTION FEATURES

Ratings Available:

- 3-60 HP, 3-Phase, 50/60 Hz
- Voltages: 200, 208, 230, 460 V
- UL/cUL Listed NEMA 4 Control Panel
- NEMA Class Rated Full Voltage Starter
- Power Monitor for Underload/Overload Protection
- Adjustable Class 10, 20 or 30 Overloads
- Door Operated Fusible Disconnect
- Manual/Off/Auto Control Switch
- Local LED Fault Status Red Light
- Local LED Green Run Light
- Local Reset Push-Button
- Viewable Fault Diagnostics
- Suitable for Outdoor Use*
- UL, cUL rated.

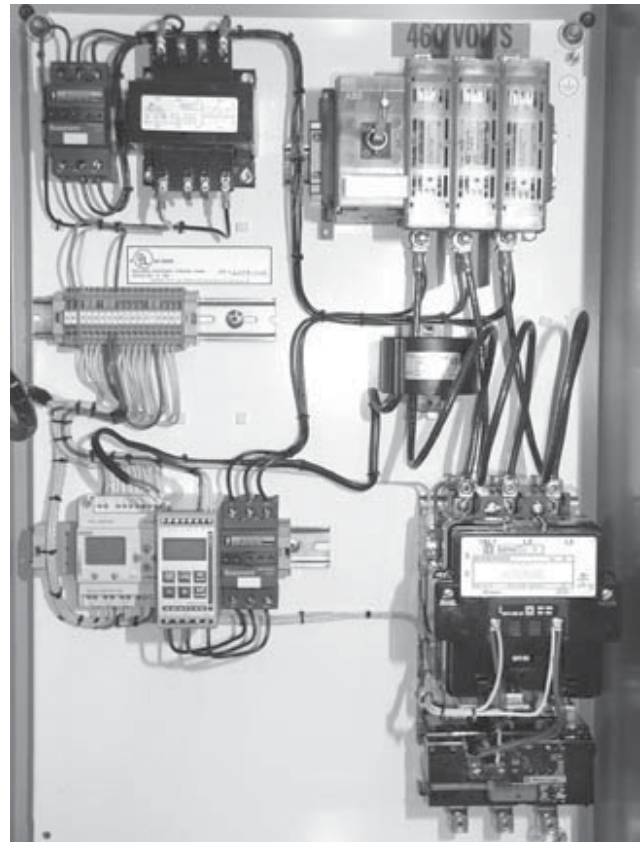
DIMENSIONS

- **Size 1** — 24" H x 20" W x 8" D
HP Sizes — 3-7½ (200-460 Volt)
— 10 (460 Volt)
- **Size 2** — 30" H x 20" W x 10" D
HP Sizes — 10 (200-230 Volt)
— 15-25 (200-460 Volt)
— 30 (230, 460 Volt)
— 40-50 (460 Volt)
- **Size 3** — 36" H x 30" W x 12" D
HP Sizes — 30 (200-208 Volt)
— 60 (460 Volt)

* In some higher temperature applications, a sun shield may be required.

CONTROLLER FUNCTIONS

- Remote Fault Indication and Remote Fault Reset
- Remote or manual Start/Stop
- Remote Start/Stop from control device or sensor (Switch or timer clock)
- Dry Contact for normally open external fault input (Safety Switch)
- Dry Contact for normally closed external fault input (Motor Thermistor)
- Analog output signal proportional to shaft HP (Scalable 4-20 mA, or 0-20mA)
- SCADA compatible



CentriPro



ITT Industries



CentriPro™

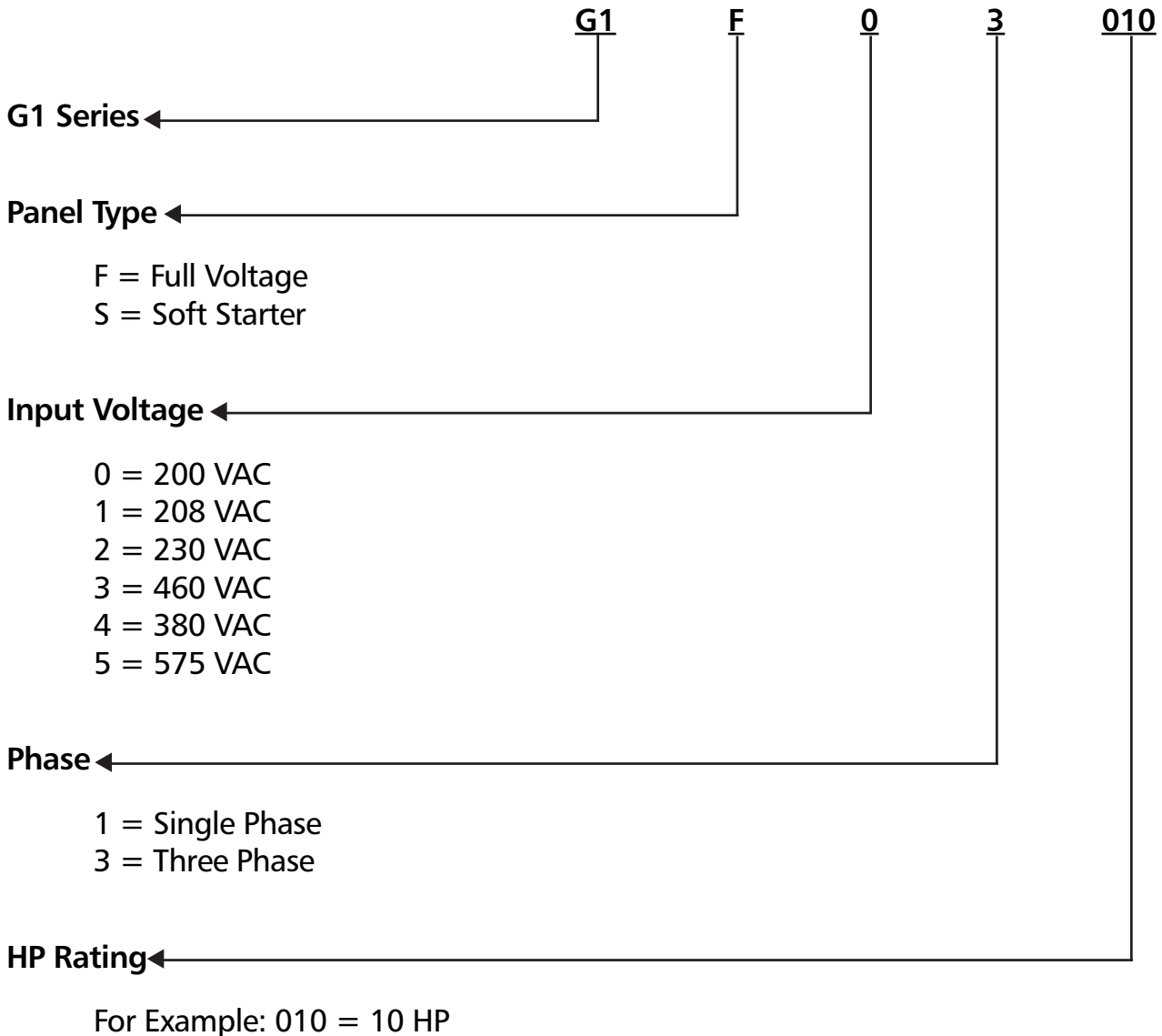
CentriGuard™

Fixed Speed Pump Starter Panel, with
Integrated Pump and Motor Protection

TECHNICAL CHARACTERISTICS

Interpreting Model Numbers

The model number of the **CentriGuard** appears on the shipping carton label and on the technical data label affixed to the model. The information provided by the model number is shown below:

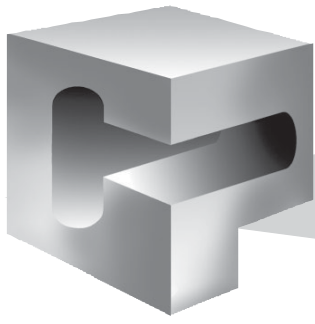


NOTE: Not all combinations may be available.

CentriPro



ITT Industries



CentriPro™

CentriGuard™

Fixed Speed Pump Starter Panel, with
Integrated Pump and Motor Protection

MODEL NUMBER RATINGS

Model Number	HP	Voltage	Starter Size	Overload Class ①	Disconnect Size ②	Enclosure Size	Net Weight
G1F03003	3	200	0	10	30	24"Hx20"Wx8"D	62
G1F13003	3	208	0	10	30	24"Hx20"Wx8"D	62
G1F23003	3	230	0	10	30	24"Hx20"Wx8"D	62
G1F03005	5	200	1	20	60	24"Hx20"Wx8"D	65
G1F13005	5	208	1	20	60	24"Hx20"Wx8"D	65
G1F23005	5	230	1	20	60	24"Hx20"Wx8"D	65
G1F33005	5	460	0	10	30	24"Hx20"Wx8"D	62
G1F03007	7½	200	1	20	60	24"Hx20"Wx8"D	65
G1F13007	7½	208	1	20	60	24"Hx20"Wx8"D	65
G1F23007	7½	230	1	20	60	24"Hx20"Wx8"D	65
G1F33007	7½	460	1	20	60	24"Hx20"Wx8"D	65
G1F03010	10	200	2	20	60	30"Hx20"Wx10"D	84
G1F13010	10	208	2	20	60	30"Hx20"Wx10"D	84
G1F23010	10	230	2	20	60	30"Hx20"Wx10"D	84
G1F33010	10	460	1	20	60	24"Hx20"Wx8"D	65
G1F03015	15	200	3	20	100	30"Hx20"Wx10"D	93
G1F13015	15	208	3	20	100	30"Hx20"Wx10"D	93
G1F23015	15	230	2	20	100	30"Hx20"Wx10"D	86
G1F33015	15	460	2	20	60	30"Hx20"Wx10"D	84
G1F03020	20	200	3	20	100	30"Hx20"Wx10"D	93
G1F13020	20	208	3	20	100	30"Hx20"Wx10"D	93
G1F23020	20	230	3	20	100	30"Hx20"Wx10"D	93
G1F33020	20	460	2	20	60	30"Hx20"Wx10"D	84
G1F03025	25	200	3	20	200	30"Hx20"Wx10"D	107
G1F13025	25	208	3	20	200	30"Hx20"Wx10"D	107
G1F23025	25	230	3	20	200	30"Hx20"Wx10"D	107
G1F33025	25	460	2	20	60	30"Hx20"Wx10"D	84
G1F03030	30	200	4	20	200	36"Hx30"Wx12"D	158
G1F13030	30	208	4	20	200	36"Hx30"Wx12"D	158
G1F23030	30	230	3	20	200	30"Hx20"Wx10"D	107
G1F33030	30	460	3	20	100	30"Hx20"Wx10"D	93
G1F33040	40	460	3	20	100	30"Hx20"Wx10"D	93
G1F33050	50	460	3	20	200	30"Hx20"Wx10"D	107
G1F33060	60	460	4	20	200	36"Hx30"Wx12"D	158

① Overloads are adjustable for Class 10, 20 or 30. The table sets the recommended class according to NEC.

② Disconnect sized fuses are per NEC, Bussman Class "J", dual element (time delay).

CentriPro, CentriGuard and the ITT Engineered Blocks symbol are registered trademarks and tradenames of ITT Industries.

PRINTED IN U.S.A.

SPECIFICATIONS ARE SUBJECT TO CHANGE WITHOUT NOTICE.

CentriPro



ITT Industries