

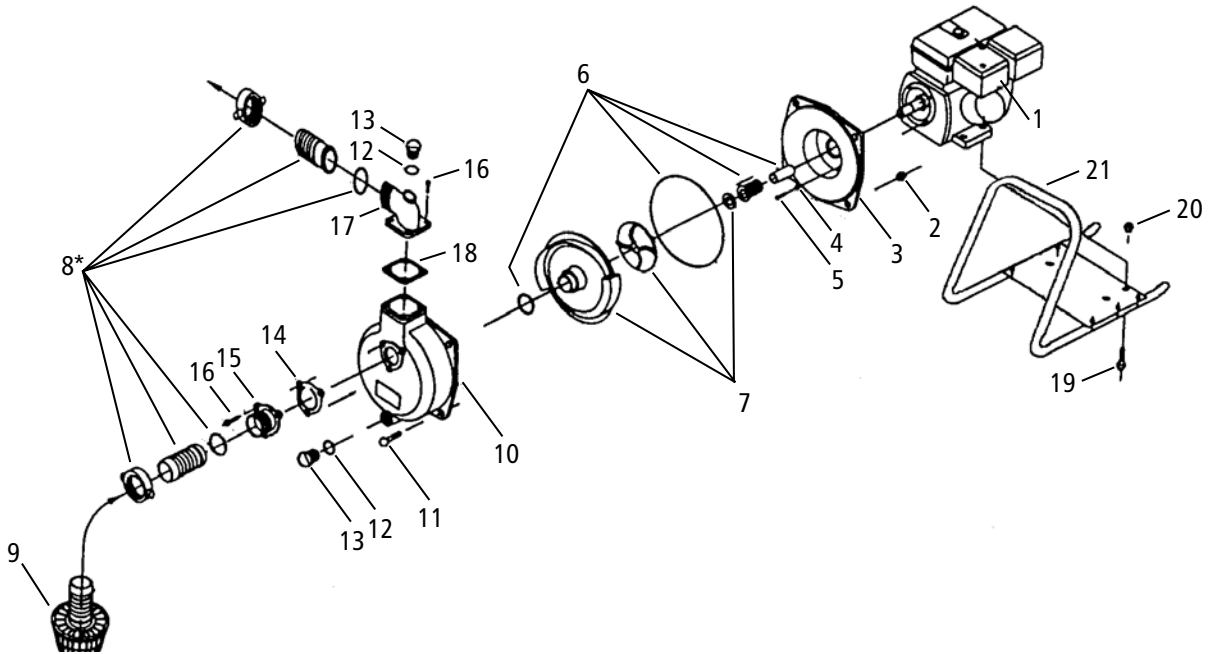
ITT

RAU

Commercial Water

Goulds Pumps

AU REPAIR PARTS



Goulds Pumps is a brand of ITT Corporation.

www.goulds.com

Engineered for life



ITT

Item	Part Description	Before	After	Part No. 3"	Quantity
		SN-J051171U	SN-J051171U		
1	Engine – 4.5 HP	16K1			1
	Engine – 6.0 HP	16K2			
2	Locknut – 3/8" – 16	16K3			4
3	Engine adapter	16K4			1
4	Aluminum washer – 5/16"	16K5			4
5	Bolt – 5/16" – 24 x 3/4"	16K6			4
6	Seal assembly	16K7			1
	Shaft sleeve				1
	O-ring housing				1
	O-ring volute				1
7	Impeller	16K8		16K9	1
	Volute				
	Impeller shim: 010, 020, 030				
8	Hose mounting nipple	16K10*	NA	NA	2
	Hose mounting nut (BSP)				2
	Hose mounting gasket				2
9	Suction strainer	16K71		16K72	1
10	Pump housing	16K12		16K13	1
11	Bolt – 3/8" – 16 x 1 1/2"	16K14			4
12	O-ring, drain/filler plug	16K15		16K16	2
13	Drain/fill plug with o-ring	16K17		16K18	2
14	Flapper valve	16K19		16K20	1
15	Suction flange	16K21* (BSP)	16K128 (NPT)	16K22 (NPT)	1
16	Bolt – 5/16" – 18" x 7/8"	16K23		16K24	7
17	Discharge elbow	16K25* (BSP)	16K129 (NPT)	16K26 (NPT)	1
18	Discharge gasket	16K27		16K28	1
19	Bolt – 5/16" – 18" x 1 1/2"	16K29			4
20	Lock nut – 5/16" – 18	16K30			4
21	Cradle assembly	16K31			1

* BSP threaded flange no longer available.



ITT

2881 East Bayard Street, Seneca Falls, NY 13148

Phone: (315) 568-7123 • Fax: (315) 568-7973

www.goulds.com

Goulds Pumps is a registered trademark of ITT Corporation. ITT, the Engineered Blocks Symbol and Engineered for Life are registered trademarks of ITT Manufacturing Enterprises, Inc.

Copyright © 2010 ITT Corporation RAU February, 2010 Printed in U.S.A.
SPECIFICATIONS ARE SUBJECT TO CHANGE WITHOUT NOTICE.