



# ITT

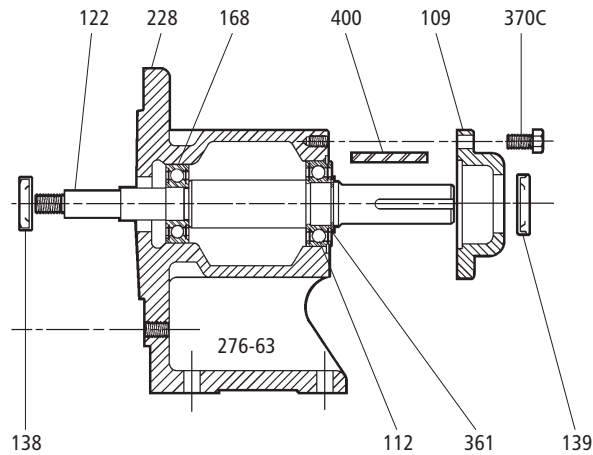
RXSPFRAM

Commercial Water

## Goulds Pumps

### XS-Group Power Frame Repair Parts

for models NPE-F, ICS-F, 3742



ITEM NO.	PART NO.	DESCRIPTION	MATERIAL	PATTERN NO.
109	1K267	Bearing cover	Cast iron	59142
228	1K268	Bearing frame	Cast iron	59279
122	4K377	Shaft – bearing frame	AISI 303 SS	
400	4K11	Shaft key – motor end		
168	4K384	Ball bearing – inboard bearing	Steel	
112	4K385	Ball bearing – outboard bearing		
138	5K172	Lip seal – inboard		
139	5K171	Lip seal – outboard	BUNA-N/steel	
361	5K211	Retaining ring		
370C	13K179	Hex head cap screw – bearing cover	Steel	

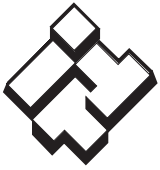
For parts pricing and package stock quantities, refer to published parts price list using "K" part no. listed above.  
For complete power frame assembly use part #14L61.



Goulds Pumps is a brand of ITT Corporation.

[www.goulds.com](http://www.goulds.com)

*Engineered for life*



**ITT**

**Commercial Water**



Goulds Pumps and the ITT Engineered Blocks Symbol are registered trademarks and tradenames of ITT Corporation.

SPECIFICATIONS ARE SUBJECT TO CHANGE WITHOUT NOTICE.

**RXSPFRAM May, 2008**

© 2008 ITT Corporation

*Engineered for life*